

Auto+

Specialist, automatic feed shredder that accepts staples and paperclips

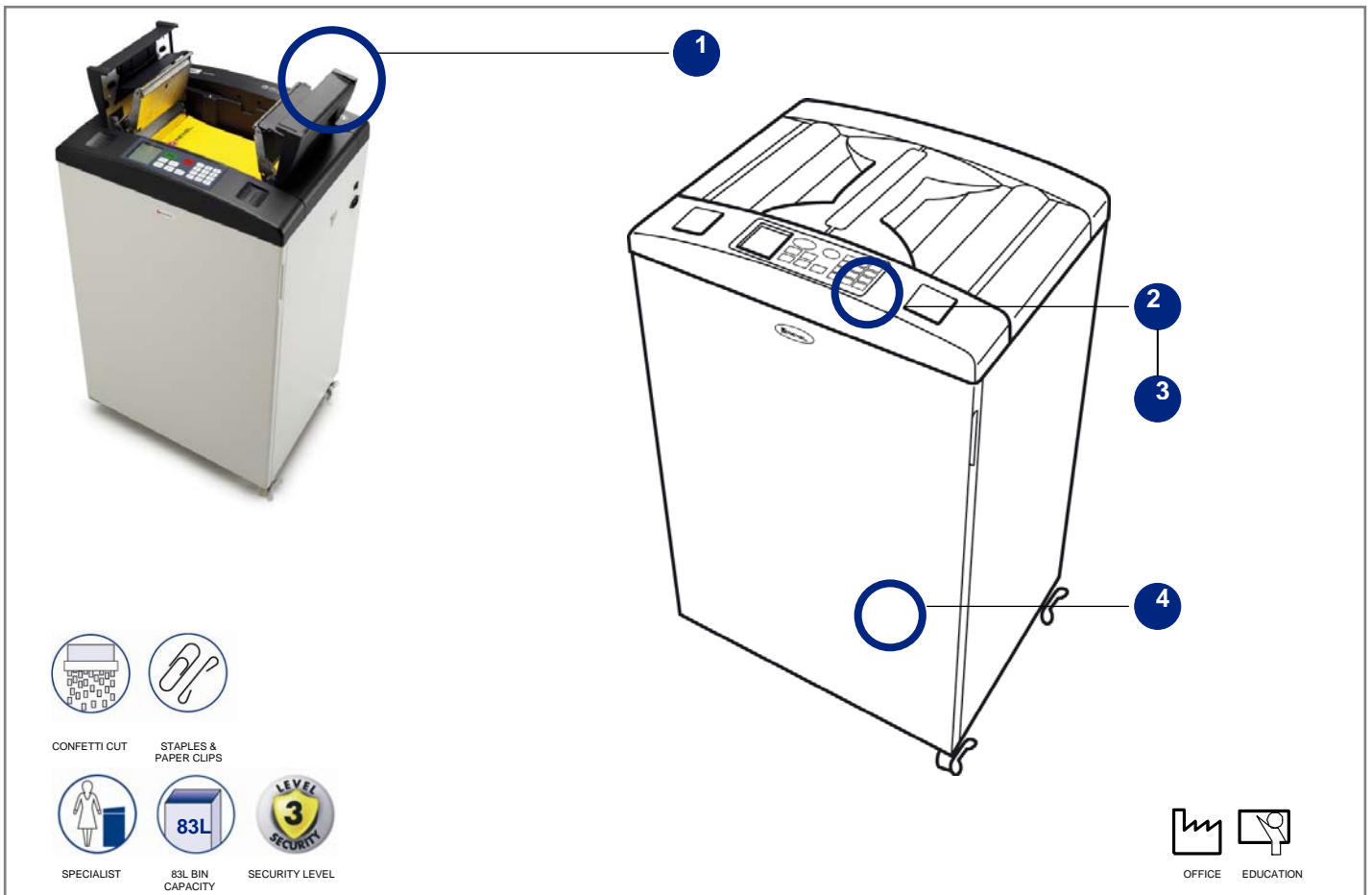
High Performance shredder designed for the most demanding of users who need to handle and shred very large volumes of paper

- Automatic feed for minimal human intervention
- Will accept paper fastened together with staples and paperclips
- 3x20mm Confetti Cut, DIN Security Level S3 - for confidential documents
- Up to 667 sheets (70gsm) or 500 sheets (80gsm) for bulk shredding
- Continuous Operation

Features & Benefits

- 1 Can shred up to 500 sheets
- 2 Easy to use LCD display
- 3 Security password locks sensitive information in shredder
- 4 83 litre pull out bin (1000 sheets)

Waste bags:
Plastic bag 40070



Technical Specifications

Cutting Style	Confetti Cut	Power Consumption (in/out W)	345W
Shred Capacity (70 gsm)	500	Working Cycle On/Off	Continuous
Shred Capacity (80 gsm)	667	Run time from cold	Continuous
DIN Security Level	3	Weight (kg)	53
Shred Size (mm)	3x20	Pack weight (kg)	61
Shred Speed m/min	3.84	Staples	Yes*
Dimensions (mm) H x W x D	915x430x545	Paper Clips	Yes*
Pack Dimensions (mm) H x W x D	1160x715x610	Credit Cards	-
Working width mm	240	CD's	-
Bin Capacity (litres)	83	Certification	CE, TÜV, GS
Sound Level Decibels @ 1m	60dB	Warranty Period	2 years
Anti-jam Reverse	Yes	Warranty Cutters	20 years**

Product Codes:
UK 2101998
EU 2101998
CH 2101998CH



www.accoeurope.com

* We recommend customers to remove staple pins & paperclips to protect cutters.

** Excludes general wear and tear

ACCO reserves the right to modify specifications without notice.